

U14



U14 RECTIFIER

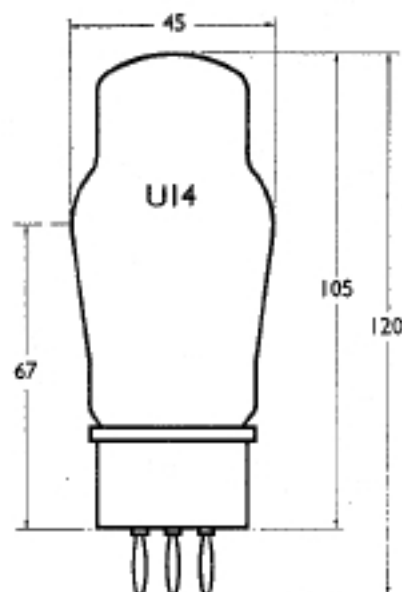
DESCRIPTION

Type U14 is a bi-phase half-wave vacuum rectifying valve with directly heated filament. It replaces types U12 and U12/14.

RATINGS

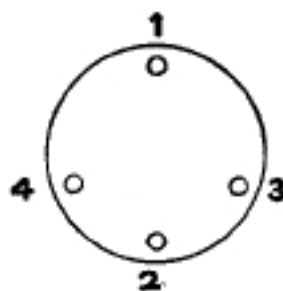
Filament Voltage	4.0	volts
Filament Current	2.5	amps
Capacitor Input, Bi-phase half-wave circuit								
Input Voltage R.M.S.	500	max. volts
Peak Inverse Voltage	1400	max. volts
D.C. Output Current	120	max. mA
Peak Anode Current (running)	380	max. mA
Anode Limiting Resistance	100	min. ohms
Reservoir Capacitor	32	max. mfd
Inductor Input, Bi-phase half-wave circuit								
Input Voltage R.M.S.	550	max. volts
Peak Inverse Voltage	1400	max. volts
D.C. Output Current	135	max. mA
Peak Anode Current (running)	380	max. mA
Anode Limiting Resistance	100	min. ohms
Input Inductor	5	henries at 135 mA
Type of Switching	Direct	
Preheating Time	Nil	

DIMENSIONS



All dimensions are in mm. and are the maximum except where otherwise stated.

BASE

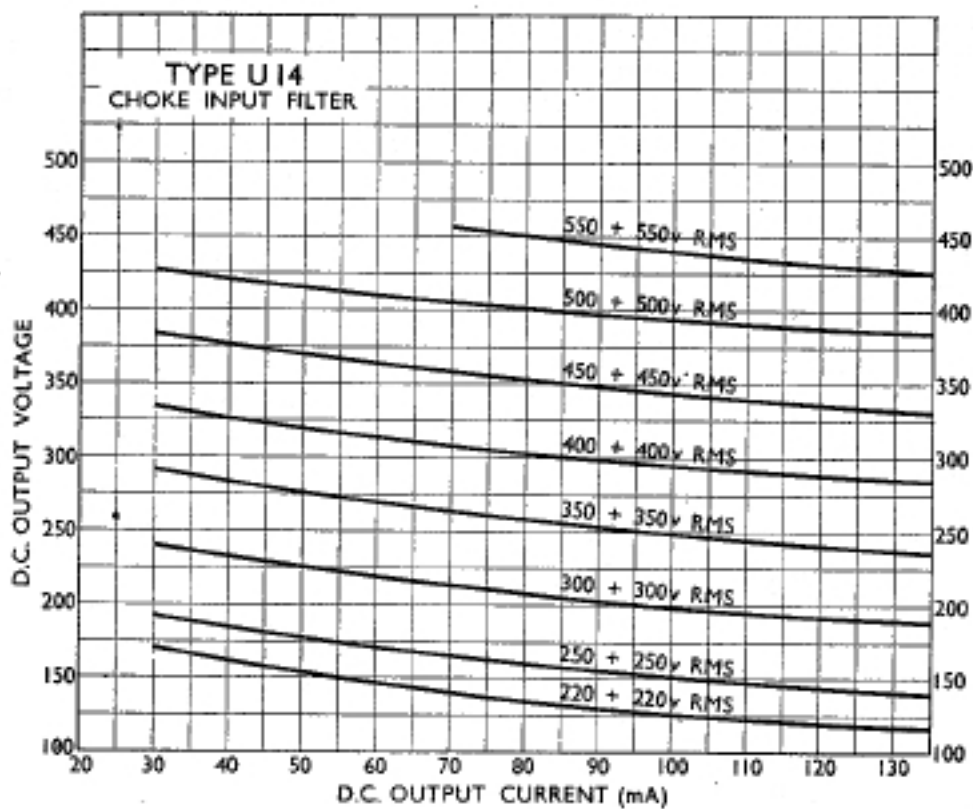
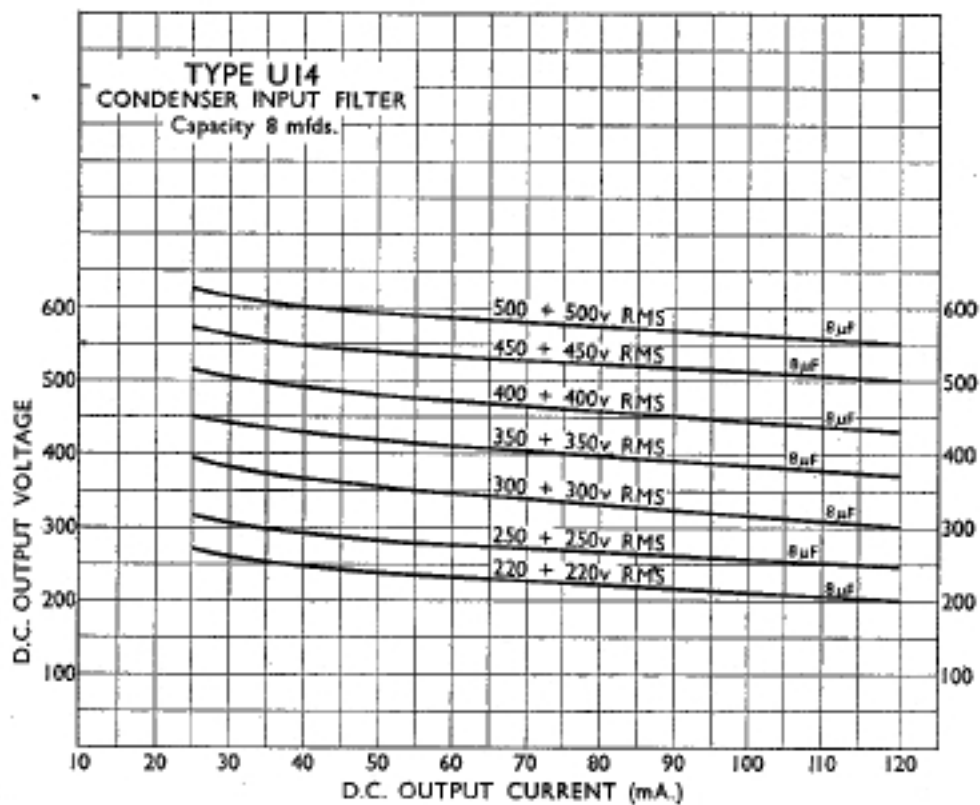


View looking on underside of base.

4-PIN BRITISH

- 1: Anode
- 2: Anode
- 3: Filament
- 4: Filament

TYPE U14



CHARACTERISTIC CURVES OF AVERAGE VALVE.